

Minim+ monitor CT

Quick start guide

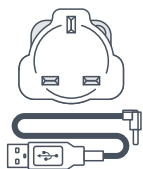
Welcome to your new Minim+ monitor

It's a great way to learn how to use less electricity and save money on your energy bills. Put your **Minim+** monitor somewhere easy to see to keep track of your electricity usage, and you'll soon start to see how simple changes like turning off the lights, or boiling less water in the kettle mean less electricity is being used.

For more help on your **Minim+** monitor, visit www.geotogether.com/support/products/minim

Remember, using less electricity means more money saved, and helps to reduce your home's carbon footprint too.

What's in the box...



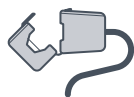
Power supply

The power supplies comes in two easy-to-assemble pieces, which will click firmly together once correctly assembled. It powers the monitor and the transmitter directly from the mains.



Monitor

The monitor shows your energy use in real time. The monitor is mains powered.



CT sensor

The sensor clips around the mains electricity cable that comes into your meter to measure the energy you are using. For a 3-phase supply, 3 sensors are used. Please read the safety notice section and fit the sensor according to the set-up instructions in this guide.



Transmitter

The transmitter is battery powered and sends the energy measured by the sensor wirelessly to the monitor.

4 easy steps to install

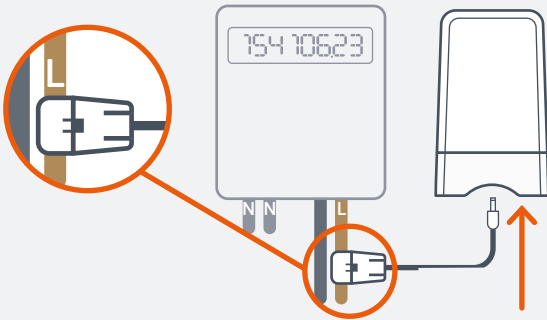
1. Attach the CT sensor(s)

Identify the live mains cable going into your electricity meter (it will be brown, red or have 'L' on it).

Clip the sensor around the mains live cable. You should hear a click to indicate the sensor has been tightly closed.

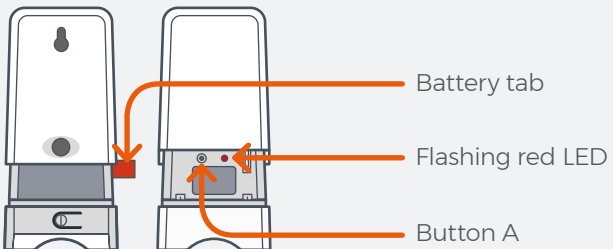
Plug in the other end of the sensor cable underneath the transmitter. If you only have one sensor plug it into any one of the three sockets on the transmitter.

For a three-phase supply, repeat this process for all three live (L) cables.



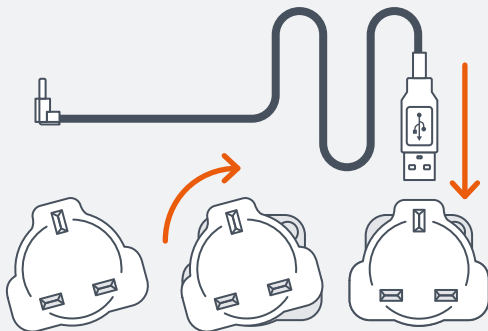
2. Activate the transmitter

Open the transmitter by pressing the button on the back and pulling the outer cover away. Remove the battery tab. The red light will flash to show the unit is working.



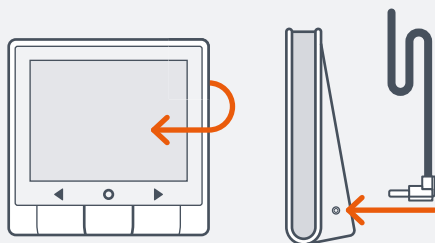
3. Assemble the power supply

Insert and twist clockwise to clip the pins to the power supply. You will hear a small 'click' when the two lock correctly.



4. Plug it in

Put the plug into a mains socket and insert the black power cable into your monitor. The monitor will light up and ask you to enter the correct year, month, day and time. Use the ◀ and ▶ buttons to change values and the ○ button to save.



Now you are ready to start using your monitor. You may want to set the monitor for your particular tariff and budget, please see the frequently asked questions for help with this.

Navigation and settings

Left and right buttons

Use the ◀ and ▶ buttons to view different periods of use. You can see consumption for today, yesterday, this week, last week, this month and last month.

Middle ○ button

To change units, press the ○ button to view the power and energy in cost, carbon or kW. Another press of the ○ button presents your budget for the selected time period on the lower digits.

Settings

Enter the settings menu by pressing and holding the ○ button. Use the ◀ and ▶ buttons to navigate to the required setting and press the ○ button to confirm. When a setting flashes, it can be changed using the ◀ and ▶ buttons and saved by pressing the ○ button.

Setting	What does it mean?	What are the options?
BUDGET	Your budget is your monthly electricity expenditure (e.g. your direct debit amount) and is used by the budget bar.	Please set this to your own expenditure. The default will change depending on what currency is set.
CURRENCY	You can choose the currency for the budget and tariff.	The default is £ (Pounds), and € (Euros), kr (Kroner) or a general currency symbol can be chosen.
TARIFF	You have one or more electricity tariffs that tell the monitor how to calculate costs.	You can set up to three tariffs and a standing charge. The default will change depending on what currency is set.
DATE+TIME	You can set your date and time.	You can change year, month, day and time.
BACKLIGHT	Your monitor is always on, but you can change when the monitor is lit up by its backlight.	By default, your backlight is always on but you can set the backlight to be timed.
FINE-TUNE	This is an advanced feature if you want to get more accurate energy measurements from your monitor.	See online support for more information.

Frequently asked questions

How do I set the tariff on my monitor?

In the settings menu select the TARIFF option. You can set up to three tariffs and a standing charge. Use the ◀ and ▶ buttons to change the tariff value and ○ button to save. You can set up to two different tariffs for different times of day: these can be found on your energy bill or by speaking to your energy provider.

How do I set my budget?

In the settings menu, select the BUDGET option. Enter your monthly expenditure using the ◀ and ▶ buttons and ○ button to save.

How do I turn the backlight off?

In the settings menu, select the BACKLIGHT option. You can select either ALWAYS ON or TIMED (by pressing the ◀ and ▶ buttons). If you select TIMED, you can set the time when you would like the backlight to be on (DISP ON) and off (DISP OFF).

The signal strength indicator is not showing and the speedometer does not show?

In some cases it may be necessary to move the display closer to the transmitter. If this does not work, the transmitter and display may need to be paired again. Please see below for more information.

How do I change currency?

In the settings menu select the CURRENCY option. Use the ◀ and ▶ buttons to change the currency value and ○ button to save. This will change the tariff and budget settings so remember to check these afterwards.

How long is the transmitter battery life?

The battery life is up to two years. When the battery indicator starts to flash replace the 3 X 1.5V AA Alkaline / LR6 batteries in the transmitter.

How do I re-pair the transmitter to the display?

To enter pairing mode on the display, hold down the ◀ and ▶ buttons together for 3 seconds. Once at the next screen, hold down the middle button for 3 seconds until the Display shows "Pair?". The display is now ready to pair to the transmitter.

Remove the cover from your transmitter, then press and hold the pair button (next to the red light) until you see a red LED light. When you release the pair button the LED flashes as the transmitter pairs with the display unit. Your display should now read "Paired CT". Press any button to return to the main screen.

Start using your Minim+ monitor



Signal strength

Shows the signal strength of the transmitter.

Battery indicator

Flashes when the batteries in the transmitter are low.

Speedometer

Shows your current rate of consumption in kW.

Currency

Shows the cost of the energy consumed in the selected currency (£, €, Kr or a general symbol).

Tariff

Shows if you are on the lowest, middle or highest of your tariff rates.

Temperature

Shows you the room temperature where your monitor is placed.

Upper digits

Shows your current rate of consumption in cost, carbon or kW.

Lower digits

Shows the total energy consumed or the budget for the chosen time period.

Budget bar

Shows if you are predicted to be over or under your budget for the time period.

Safety notice

Please be aware of these simple safety precautions when using these products. Safe operation may be hindered if used in a way that is not specified by the manufacturer.



Keep products away from water and other liquids. Disconnect from the mains power supply before cleaning (with a soft, dry cloth only). Please contact your supplier if any components appear damaged or faulty.



Your products are designed to be used in an indoor, domestic environment only.



To protect the environment, these products and their batteries must be disposed of safely at the end of their life.



These products are CE approved.



These products comply with RoHS regulations.



The meter transmitter is double insulated.

Technical specifications

Minim+ monitor

This product is intended to be used indoors in a domestic environment. It is not suitable for outdoor use.

Supply voltage:

240Vac, 50Hz

Operating voltage:

5Vdc (display) and 3 x AA alkaline batteries (transmitter)

Operating power:

< 0.6W

Operating temperature:

0 to 40°C

Operating humidity:

0 to 85% non-condensing

Manufacturer:

Green Energy Options Ltd.
3 St. Mary's Court, Main Street,
Hardwick, Cambridge
CB23 7QS, UK

This product CE Declaration of Conformance can be retrieved from:
<https://www.geotogether.com/cedoc>

